

PMF

TRAILER RENTALS

DRY VAN SEMI TRAILER RENTALS



53' DRY VAN SEMI TRAILER RENTALS

USE:	STANDARDS:	
Retail	Length 53 ft	Door Type:
Manufacturing	Width 96 - 102 inches	Swing door
Construction	Height 13.6 ft	Roller door
Distribution	CAPACITY:	
Warehouse	53 ft Length, Gross, Weight: 45,000 lbs	
Transportation	53 ft Max Pallets: 26 pallets	

48' DRY VAN SEMI TRAILER RENTALS

USE:	STANDARDS:	
Retail	Length 48 ft	Door Type:
Manufacturing	Width 96 - 102 inches	Swing door
Construction	Height 13.6 ft	Roller door
Distribution	CAPACITY:	
Warehouse	48 ft Length, Gross Weight: 45,000 lbs	
Transportation	48 ft Max Pallets: 24 pallets	

OVERALL INTERIOR REAR DOOR CAPACITY MAX WEIGHT

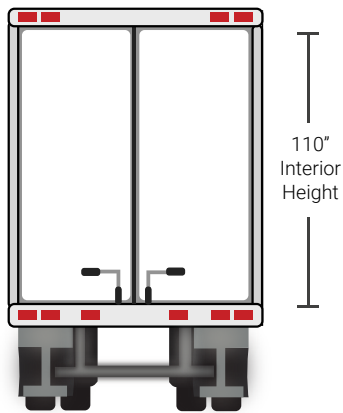
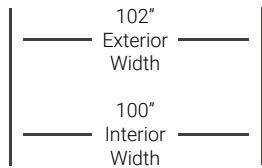
OVERALL				INTERIOR				DOOR HEIGHT			CAPACITY	TARE WEIGHT
LENGTH	TH	HEI	T	LENGTH	TH	HEI	T	WIDTH	HEI	T		
48 ft	102"	13' 6"		47' 6"		98.5"		98"		100.6"		
53 ft	102"	13' 6"		47' 6"		98.5"		94"		102"		

PMF

TRAILER RENTALS

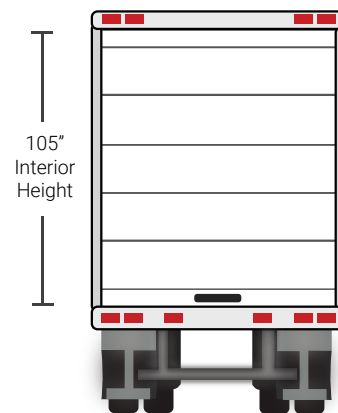
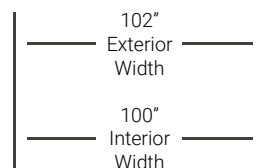
DRY VAN SEMI TRAILER RENTALS

SWING DOOR



Door Opening
98" x 110"

ROLL DOOR



Door Opening
98" x 110"

*Data provided for illustrative purposes only. Actual equipment in use varies by carrier and manufacturer.
This is only a guide and should not be used as a definitive reference for dock planning.*

For more information on rentals contact us at:

www.pmfrentals.com

(800) 837-7223

info@pmfrentals.com